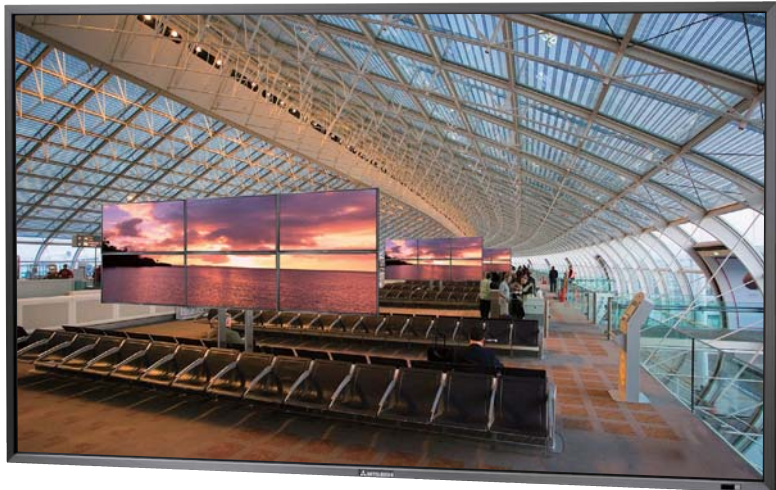


Stylish Large-screen Panels with Advanced Features

A highly functional commercial-use display featuring a high-brightness, thin-bezel design and compliance with Open Pluggable Specification (OPS) standards to support future system expansion.



55" LCD Display MDT 551S

Resolution
1920x1080
(Full HD)

Colours
1.06 billion

Brightness
700cd/m²

Contrast Ratio
1300:1

Viewing Angle
Up/Down 178°
Left/Right 178°

Response Time
10ms (Grey to Grey)

Options

Stand: **ST-461V**
Speakers: **SP-551S**
CAT5 Transmitter
Box: **DP-2CA5-T**
CAT5 Receiver Box:
DP-2CA5-R
SDI Box:
DP-1SDI-3G



● High Brightness of 700cd/m²

A high-brightness panel specifically designed for public space applications, ensuring crystal-clear images even in well-lit environments.

● Stylish Aluminium Bezel

The ultra-thin 17.5mm bezel provides a stylish look and draws maximum attention to the screen, especially for content viewed on multiple screens.



● OPS-compatible Slot

Support for CAT5 (as with previous models) and the added feature of Open Pluggable Specification compatibility. This allows the installation of expansion cards (e.g. a personal computer card*), opening up a wider scope of applications the display can be used for.



● SDI Card

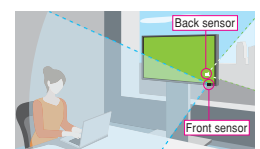
An SDI card is available as an option, allowing compatibility with standard signal formats (3G-SDI, HD-SDI, SD-SDI) used in the broadcast industry and the daisy-chain connection of up to 25 units with a maximum cable length of 350m* (for SD-SDI).

* Possible transmission distance varies depending on installation conditions and the cable used.

● Auto Brightness

Two external light sensors are embedded in the display (i.e., one each in the front and back) for detecting brightness in front of the display as well as light from the rear of the unit.

This not only allows automatic brightness control according to the environment, but also contributes towards reduced power consumption and cost-savings.



● Other Features

Face-up Installation The ability to install displays face-up further increases commercial-use applications.

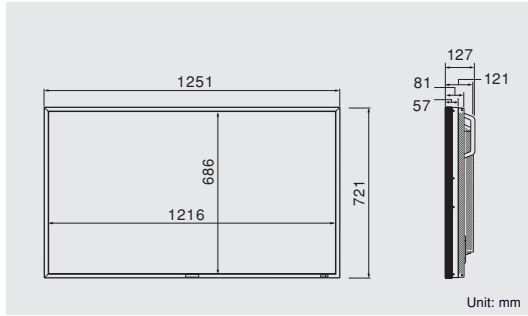
120Hz Compatible This feature provides smooth playback of fast-moving images.

Built-in Speakers (10W+ 10W) Each panel has two built-in 10W speakers, eliminating the time, effort and cost required to connect external speakers.

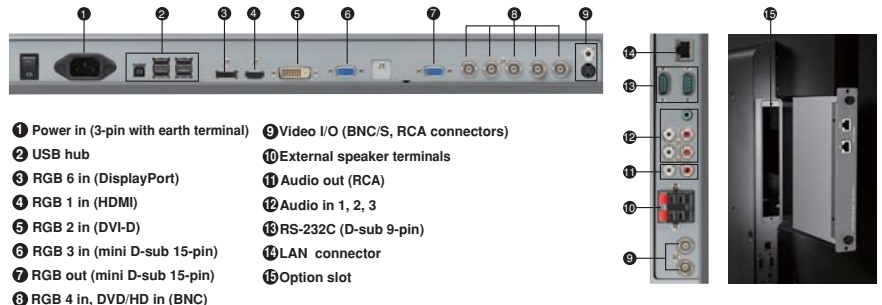
*The MDT551S is compatible with Advantech Co. Ltd's ARK-DS220F-MTSA1E. For details, please contact a local Advantech dealership.



Dimensions



Connector Terminals



Specifications

| | | | |
|---------------------------------|---|---|--|
| Orientation | Landscape/Portrait/Face-up | | |
| LCD module | Screen size (diagonal) | 54.6" (1388mm) | |
| | Panel type | IPS | |
| | Pixel pitch | 0.630mm | |
| | Resolution | 1920 × 1080 (Full HD) | |
| | Colour | Approx. 1.06 billion | |
| | Brightness | Max.: 700cd/m ² | |
| | Contrast ratio | 1300:1 | |
| Viewing area | Viewing angle (CR≥10) | Up/Down 178°, Left/Right 178° | |
| | Response time | 10ms (Grey to Grey) | |
| Power management | VESA DPM | | |
| Plug-n-Play | VESA DDC2B, DDC/CI | | |
| Auto adjustment | Contrast, Position, Phase, Clock | | |
| OSD user functions | Brightness, contrast, black level, zoom, PiP, screensaver, side border colour, Gamma selection, black level expansion, heat status, power-on delay, schedule, tiling, CAT5 control, LAN control, closed caption, programmable LUT, etc. | | |
| Input/Output signal | PC input/output | Input connector (Analog) | Mini D-sub 15-pin, BNC (R, G, B, H, V) (PC/AV common) |
| | | Input connector (Digital) | HDMI (PC/AV common), DVI-D (with HDCP, PC/AV common), DisplayPort |
| | | Output connector | Mini D-sub 15-pin |
| | | CAT5 input (option) | Modular 8-pin×1 providing RGB differential video and RS-485 control support |
| | | CAT5 output (option) | Modular 8-pin×1 providing RGB differential video and RS-485 control support |
| | AV input/output | Horizontal frequency | 15.625/15.734, 31.5-91.1kHz |
| | | Vertical frequency | 50, 58-85Hz |
| | | Video signal | Analog: RGB, Digital: RGB |
| | | Sync signal | Analog: separate (TTL), composite (TTL), Sync-on-Green, Digital: TMDS |
| | | Resolutions supported | 640 × 480, 800 × 600, 1024 × 768, 1280 × 768, 1360 × 768, 1280 × 1024, 1600 × 1200, 1920 × 1080, 1920 × 1200 (1600 × 1200, 1920 × 1200 simplified compression) |
| Audio input/output | Input connector (Analog) | Composite video <BNC>, S-terminal, BNC (Y/Pb/Pr;PC/AV common) | |
| | Input connector (Digital) | HDMI (PC/AV common), DVI-D (with HDCP, PC/AV common) | |
| | Output connector | Analog: composite video <BNC> | |
| | Resolutions supported | Composite signal/S-terminal: NTSC, PAL, SECAM, 4.43 NTSC, PAL60 Component signal: 480i, 480p, 576i, 576p, 720p, 1080i, 1080p | |
| | Speaker/Audio output | RCA pin jacks × 2 (L/R), stereo mini jack | |
| USB hub | Control Input connector | HDMI x 1 | |
| | Control Output connector | RCA pin jacks (L/R) | |
| | Control Output connector | External speaker jacks (7W + 7W) and internal speakers (10W + 10W) | |
| Option slot (OPS slot) | Input connector | RS-232C <D-sub 9-pin>, LAN <modular 8-pin> | |
| | Output connector | RS-232C <D-sub 9-pin> | |
| | Control | Self-powered hub: 2 upstream (OPS slot, external connection)/4 downstream/USB2.0 compliant | |
| Power supply | Voltage, Current | Both digital (OPS) and analog (CAT5) supported | |
| | Consumption | 100-240VAC, 50/60Hz Max.: 316W (293W w/o speakers) Factory default setting: 202W | |
| | Consumption in economy mode | Less than 5W with CAT5 input selected Less than 1W with other input selected 0W with power switch off | |
| Dimensions (W × H × D) | Net | 1251 × 721 × 127mm | |
| | Overall | 1474 × 938 × 346mm | |
| | Weight | Approx. 37.0kg | |
| Wall mounting interface | Net | Approx. 47.5kg | |
| | Gross | | |
| Regulation/Guideline compliance | 8 holes, M8 screws (200mm (7.9") pitch) for monitor, 4 holes × 2 sets, M4 screws (100mm (4.0") pitch) for SBC, Signage player mounted on monitor | | |
| Accessories | UL60950-1/C-UL/CE Marking/BSMI/GOST-R/FCC-A /DOC-A/C-Tick/ RoHS/US Mercury/Energy Star/CCC only for Chinese model | | |
| | Power cord, signal cable (mini D-sub 15-pin to mini D-sub 15-pin cable), User's Manual, wireless remote control, batteries, clamps (for power cord and HDMI cable), etc. | | |

* Values shown in the Specifications chart are typical values; actual values may vary depending on individual unit differences.
* The display size shown on the cover page of this flyer is rounded off to a whole number. The actual size is listed in the Specifications chart.

MITSUBISHI ELECTRIC AUSTRALIA PTY LTD
348 Victoria Rd Rydalmere, NSW 2116 Phone: (02) 9684 7777 Fax: (02) 9684 7208

www.MitsubishiElectric.com.au